

## CMOS TEMPERATURE SENSOR IC

[www.sii-ic.com](http://www.sii-ic.com)

© Seiko Instruments Inc., 2002-2010

Rev.5.0\_00

The S-8110C/8120C Series is a family of high-precision temperature sensor ICs on a single chip with a linear output voltage for temperature changes.

Each chip is composed of a temperature sensor, a constant current circuit, and an operational amplifier.

It can be used at temperatures ranging from  $-40^{\circ}\text{C}$  to  $+100^{\circ}\text{C}$ . These devices have much better linearity than other temperature sensors such as thermistors, and can be used for a wide range of temperature control applications.

### ■ Features

- Temperature accuracy
  - S-8110C Series:  $\pm 5.0^{\circ}\text{C}$  ( $-30^{\circ}\text{C}$  to  $+100^{\circ}\text{C}$ )
  - S-8120C Series:  $\pm 2.5^{\circ}\text{C}$  ( $-30^{\circ}\text{C}$  to  $+100^{\circ}\text{C}$ )
- Linear output voltage
  - $-8.20\text{ mV}/^{\circ}\text{C}$  typ.
  - $T_a = -30^{\circ}\text{C}$ :  $1.951\text{ V}$  typ.
  - $T_a = +30^{\circ}\text{C}$ :  $1.474\text{ V}$  typ.
  - $T_a = +100^{\circ}\text{C}$ :  $0.882\text{ V}$  typ.
- Nonlinearity
  - $\pm 0.5\%$  typ. ( $-20^{\circ}\text{C}$  to  $+80^{\circ}\text{C}$ )
- Wide power supply voltage operation  $V_{\text{DD}} = 2.4\text{ V}$  to  $10.0\text{ V}$
- Low current consumption  $4.5\text{ }\mu\text{A}$  typ. ( $+25^{\circ}\text{C}$ )
- Built-in operational amplifier
- $V_{\text{SS}}$  standard output
- Lead-free, Sn 100%, halogen-free<sup>\*1</sup>

\*1. Refer to “**■ Product Name Structure**” for details.

### ■ Applications

- Compensation of high-frequency circuits such as cellular phones and radio equipment
- Compensation of oscillation frequency in crystal oscillator
- LCD contrast compensation
- Compensation of amplifier gain
- Compensation of auto focus circuits
- Temperature detection in battery management
- Overheating prevention for charged batteries or halogen lights

### ■ Packages

- SC-82AB
- SNT-4A

■ Block Diagram

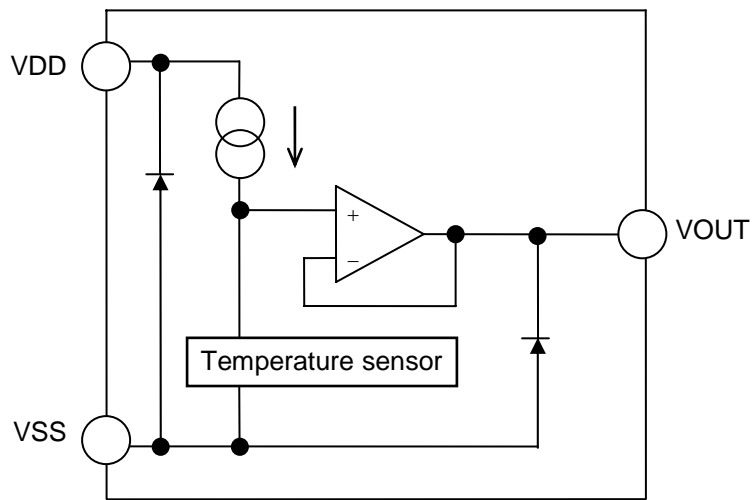
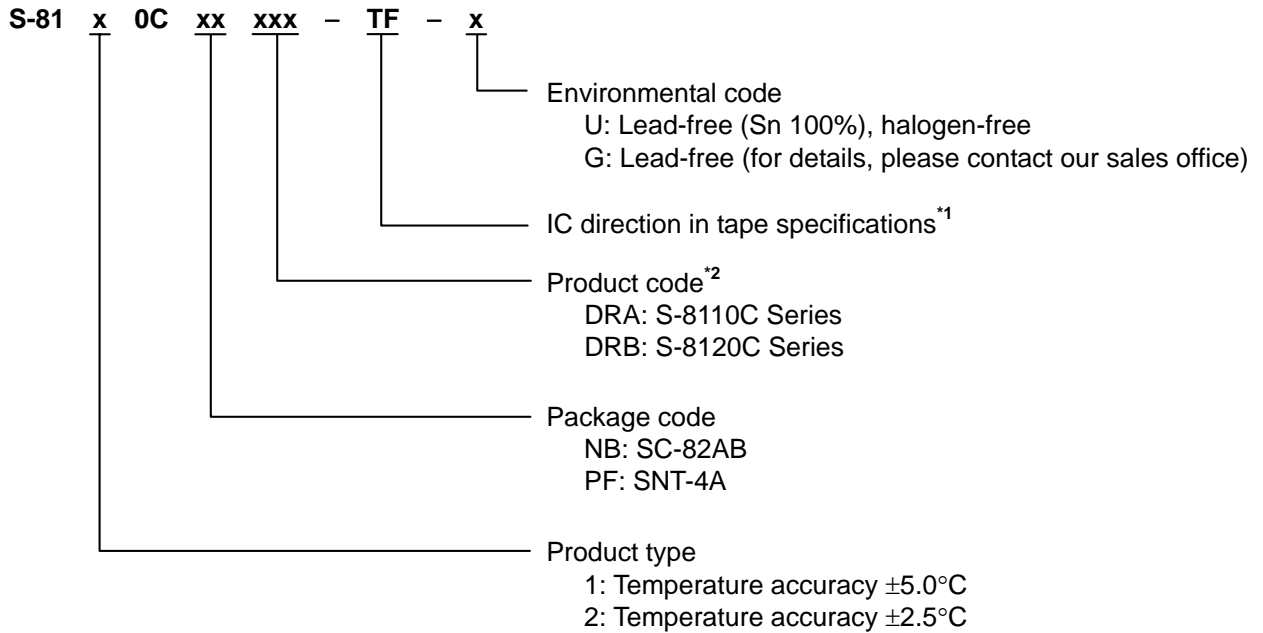


Figure 1

■ Product Name Structure

The product types and package types for S-8110C/8120C Series can be selected at the user’s request. Please refer to the “1. Product Name” for the construction of the product name “2. Package” regarding the package drawings and “3. Product Name List” for the full product names.

1. Product Name



\*1. Refer to the tape specifications at the end of this book.

\*2. Refer to the Table 1 in the “3. Product Name List”.

2. Package

Package name	Drawing code			
	Package	Tape	Reel	Land
SC-82AB	NP004-A-P-SD	NP004-A-C-SD NP004-A-C-S1	NP004-A-R-SD	—
SNT-4A	PF004-A-P-SD	PF004-A-C-SD	PF004-A-R-SD	PF004-A-L-SD

3. Product Name List

Table 1

Series name	SC-82AB	SNT-4A
S-8110C Series	S-8110CNB-DRA-TF-x	S-8110CPF-DRA-TF-x
S-8120C Series	S-8120CNB-DRB-TF-x	S-8120CPF-DRB-TF-x

Remark 1. x: G or U

2. Please select products of environmental code = U for Sn 100%, halogen-free products.

■ Pin Configurations

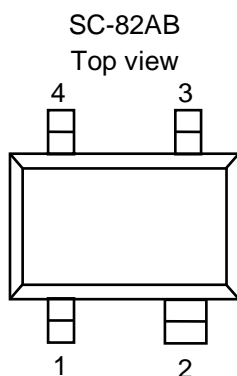


Figure 2

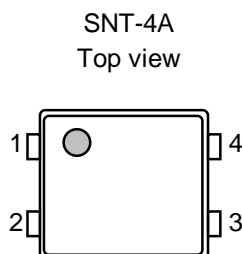


Figure 3

Table 2

Pin No.	Pin name	Pin description
1	VDD	Power supply pin
2	VSS	GND pin
3	NC <sup>*1</sup>	No connection
4	VOUT	Output voltage pin

\*1. The NC pin is electrically open.  
The NC pin can be connected to VDD or VSS.

Table 3

Pin No.	Pin name	Pin description
1	VSS	GND pin
2	VDD	Power supply pin
3	VOUT	Output voltage pin
4	NC <sup>*1</sup>	No connection

\*1. The NC pin is electrically open.  
The NC pin can be connected to VDD or VSS.

## ■ Absolute Maximum Ratings

Table 4

(Ta = +25°C unless otherwise specified)

Item		Symbol	Absolute maximum ratings	Unit
Power supply pin voltage		$V_{DD}$	$V_{SS}-0.3$ to $V_{SS}+12.0$	V
Output voltage		$V_{OUT}$	$V_{SS}-0.3$ to $V_{DD}+0.3$	V
Power dissipation	SC-82AB	$P_D$	150 (When not mounted on board)	mW
			$350^{*1}$	mW
	SNT-4A		140 (When not mounted on board)	mW
			$300^{*1}$	mW
Operating ambient temperature		$T_{opr}$	-40 to +100	°C
Storage temperature		$T_{stg}$	-40 to +125	°C

\*1. When mounted on board

[Mounted board]

(1) Board size : 114.3 mm × 76.2 mm × t1.6 mm

(2) Board name : JEDEC STANDARD51-7

**Caution** The absolute maximum ratings are rated values exceeding which the product could suffer physical damage. These values must therefore not be exceeded under any conditions.

■ Electrical Characteristics

1. S-8110C Series

Table 5

(Ta = +25°C, V<sub>DD</sub> = 5.0 V, I<sub>OUT</sub> = 0 A unless otherwise specified)

Item	Symbol	Condition	Min.	Typ.	Max.	Unit	Test circuit
Power supply voltage	V <sub>DD</sub>	—	2.4	—	10.0	V	1
Output voltage	V <sub>OUT</sub>	Ta = -30°C	1.911	1.951	1.991	V	1
		Ta = +30°C	1.434	1.474	1.514	V	1
		Ta = +100 °C	0.842	0.882	0.922	V	1
Temperature sensitivity	V <sub>SE</sub>	-30°C ≤ Ta ≤ +100°C	-8.40	-8.20	-8.00	mV/°C	—
Nonlinearity	ΔN <sub>L</sub>	-20°C ≤ Ta ≤ +80°C	—	±0.5	—	%	—
Operating temperature range	T <sub>opr</sub>	—	-40	—	100	°C	—
Current consumption	I <sub>DD</sub>	—	—	4.5	8.0	μA	1
Line regulation	ΔV <sub>OUT1</sub>	V <sub>DD</sub> = 2.4 V to 10.0 V	—	—	0.05	%/ V	2
Load regulation*1	ΔV <sub>OUT2</sub>	I <sub>OUT</sub> = 0 μA to 200 μA	—	—	1.0	mV	2

\*1. Do not flow sink current into the output voltage pin.

2. S-8120C Series

Table 6

(Ta = +25°C, V<sub>DD</sub> = 5.0 V, I<sub>OUT</sub> = 0 A unless otherwise specified)

Item	Symbol	Condition	Min.	Typ.	Max.	Unit	Test Circuit
Power supply voltage	V <sub>DD</sub>	—	2.4	—	10.0	V	1
Output voltage	V <sub>OUT</sub>	Ta = -30°C	1.931	1.951	1.971	V	1
		Ta = +30°C	1.454	1.474	1.494	V	1
		Ta = +100°C	0.862	0.882	0.902	V	1
Temperature sensitivity	V <sub>SE</sub>	-30°C ≤ Ta ≤ +100°C	-8.40	-8.20	-8.00	mV/°C	—
Nonlinearity	ΔN <sub>L</sub>	-20°C ≤ Ta ≤ +80°C	—	±0.5	—	%	—
Operating temperature range	T <sub>opr</sub>	—	-40	—	100	°C	—
Current consumption	I <sub>DD</sub>	—	—	4.5	8.0	μA	1
Line regulation	ΔV <sub>OUT1</sub>	V <sub>DD</sub> = 2.4 V to 10.0 V	—	—	0.05	%/ V	2
Load regulation*1	ΔV <sub>OUT2</sub>	I <sub>OUT</sub> = 0 μA to 200 μA	—	—	1.0	mV	2

\*1. Do not flow sink current into the output voltage pin.

■ Test Circuits

1.

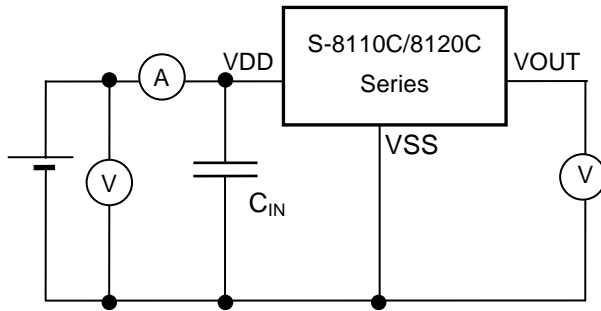


Figure 4

2.

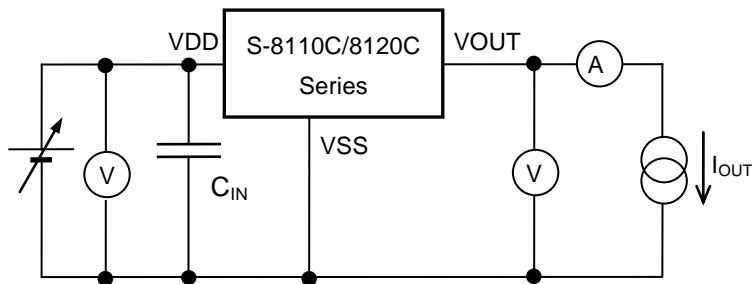


Figure 5

■ Technical Terms

1. Output Voltage ( $V_{OUT}$ )

$V_{OUT}$  indicates the output voltage at  $T_a = -30^{\circ}\text{C}$ ,  $T_a = +30^{\circ}\text{C}$  and  $T_a = +100^{\circ}\text{C}$ .

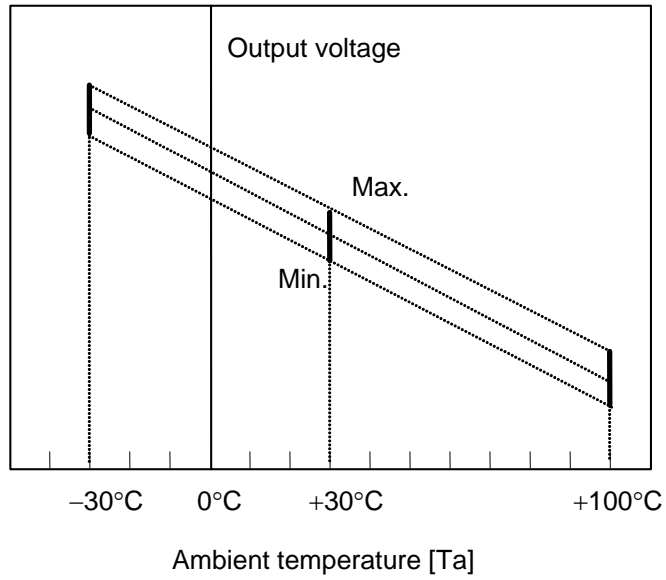


Figure 6

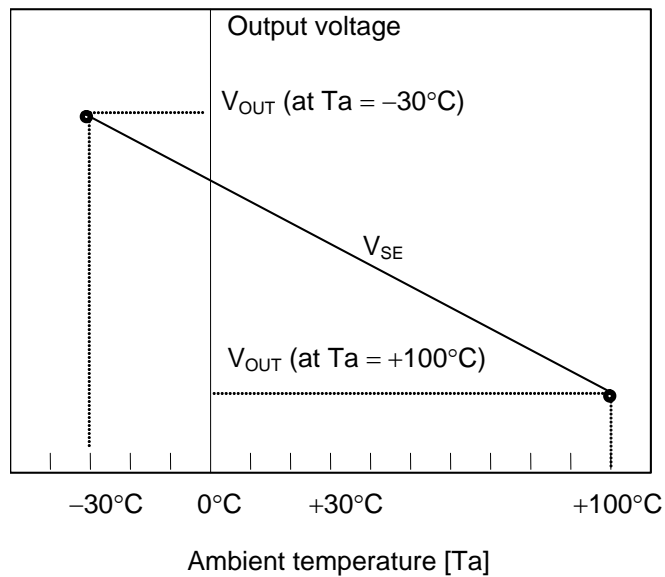


## 2. Temperature Sensitivity ( $V_{SE}$ )

$V_{SE}$  indicates the temperature coefficient of the output voltage calculated using the output voltage at  $T_a = -30^\circ\text{C}$  and  $T_a = +100^\circ\text{C}$ .

$V_{SE}$  is calculated using the following formula.

$$V_{SE} = \frac{[V_{OUT}^{*1} - V_{OUT}^{*2}]}{130^{*3}}$$



**Figure 7**

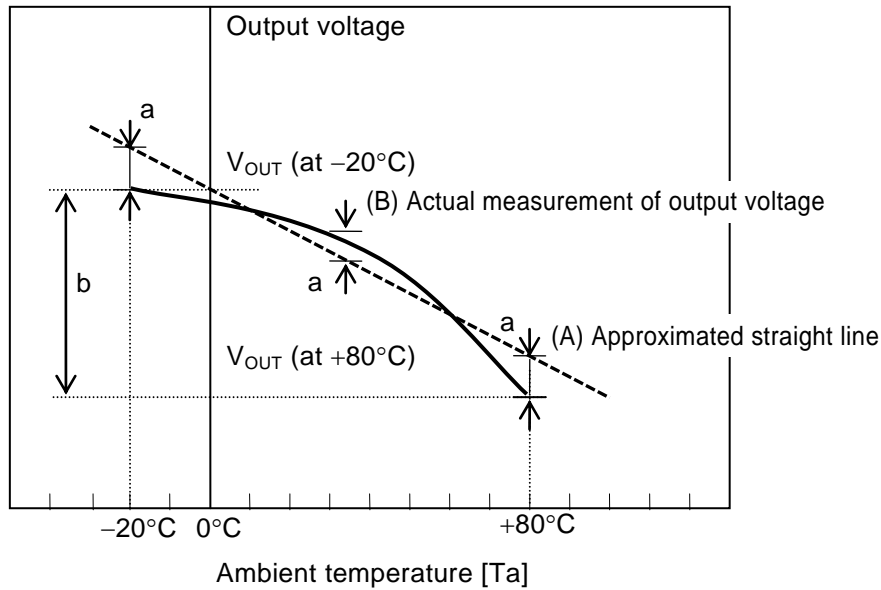
- \*1.  $V_{OUT}$  value at  $T_a = +100^\circ\text{C}$ . [V]
- \*2.  $V_{OUT}$  value at  $T_a = -30^\circ\text{C}$ . [V]
- \*3. The difference of the temperature from  $T_a = +100^\circ\text{C}$  to  $T_a = -30^\circ\text{C}$ . [ $^\circ\text{C}$ ]

**3. Nonlinearity ( $\Delta N_L$ )**

$\Delta N_L$  indicates the nonlinearity of the output voltage and is defined as the difference of the characteristic curve of the output voltage and the approximated straight line shown below.

$\Delta N_L$  is calculated using the following formula.

$$\Delta N_L = \frac{a^{*1}}{b^{*2}} \times 100$$



**Figure 8**

- \*1. The maximum deviation of the actual measurement of output voltage (B) and an approximated straight line (A) in temperature within  $-20^{\circ}\text{C}$  to  $+80^{\circ}\text{C}$ . (An approximated straight line is taken as the straight line from which the “a” becomes the minimum.)
- \*2. The difference of the output voltage within  $-20^{\circ}\text{C}$  to  $+80^{\circ}\text{C}$ .

**4. Line Regulation ( $\Delta V_{OUT1}$ )**

$\Delta V_{OUT1}$  indicates the output voltage dependence on the input voltage. That is, the values express how the output voltage changes, when input voltage is changed under the condition that output current is fixed.

**5. Load regulation ( $\Delta V_{OUT2}$ )**

$\Delta V_{OUT2}$  indicates the output voltage dependence on the output current. That is, the values express how the output voltage changes, when output current is changed under the condition that input voltage is fixed.

## ■ Precautions

- Wiring patterns for VDD pin, VOUT pin and VSS pin should be designed to hold low impedance.
- In this IC, if load capacitance of VOUT pin is large, VOUT pin voltage may oscillate. It is recommended not to use the external capacitor between the VOUT and VSS pin. In case of using external capacitor, mount it near the VOUT pin.

When connecting A/D converter etc. to the VOUT pin, input pin capacitance of A/D converter and the parasitic capacitance component between wires are included as load capacitance.

To prevent oscillation, it is recommended to use the following output load condition.

Load capacitance of VOUT pin ( $C_L$ ) : 100 pF or less

- In this IC, if load resistance of VOUT pin is small, VOUT pin voltage may oscillate. It is recommended not to use the external resistor between the VOUT and VSS pin.

When connecting A/D converter etc. to the VOUT pin, input resistance of A/D converter and the parasitic resistance component between wires are included as load resistance.

To prevent oscillation, it is recommended to use the following output load condition.

Load resistance of VOUT pin ( $R_L$ ) : 500 k $\Omega$  or more

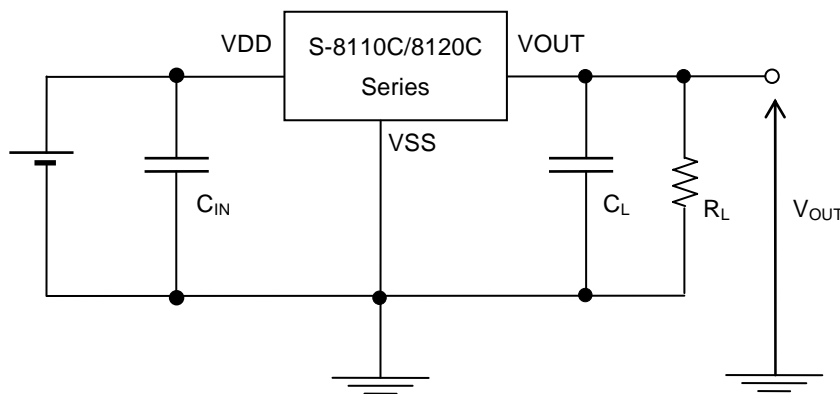


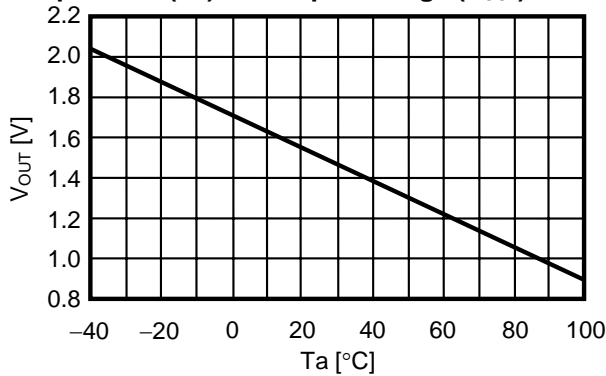
Figure 9

**Caution** The above connection diagram and constant will not guarantee successful operation. Perform through evaluation using the actual application to set the constant.

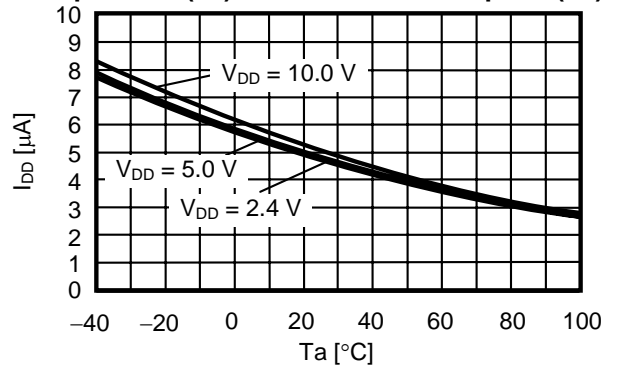
- Please do not connect a pull-up resistor to the output voltage pin.
- The application condition for input voltage, output voltage and load current must not exceed the package power dissipation.
- Do not apply an electrostatic discharge to this IC that exceeds the performance ratings of the built-in electrostatic protection circuit.
- Regarding the current at the output pin, refer to load regulation and **footnote \*1** in **Table 5** to **Table 6** “**■ Electrical Characteristics**”.
- SII claims no responsibility for any and all disputes arising out of or in connection with any infringement of the products including this IC upon patents owned by a third party.

■ **Typical Characteristics**

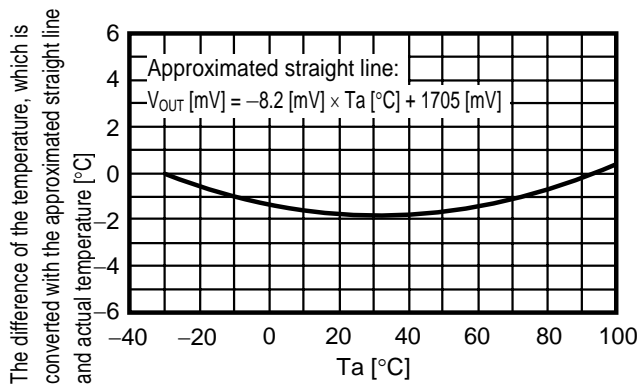
**1. Temperature (Ta) vs. Output voltage (V<sub>OUT</sub>)**



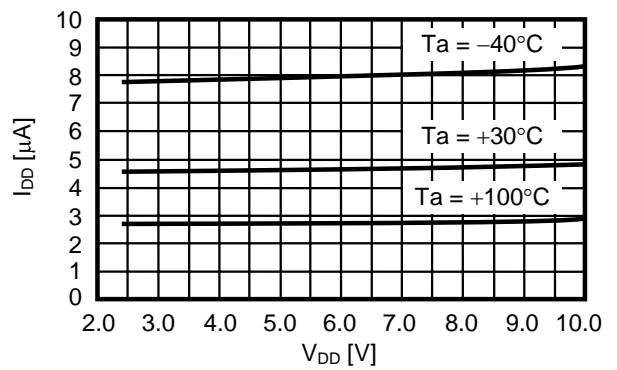
**2. Temperature (Ta) vs. Current consumption (I<sub>DD</sub>)**



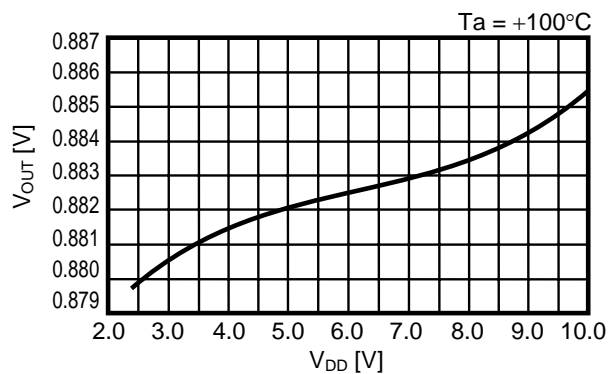
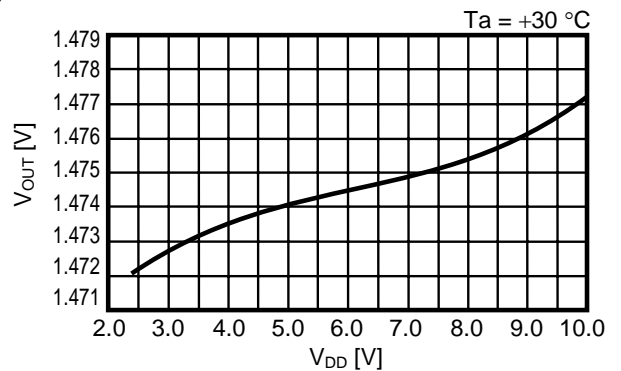
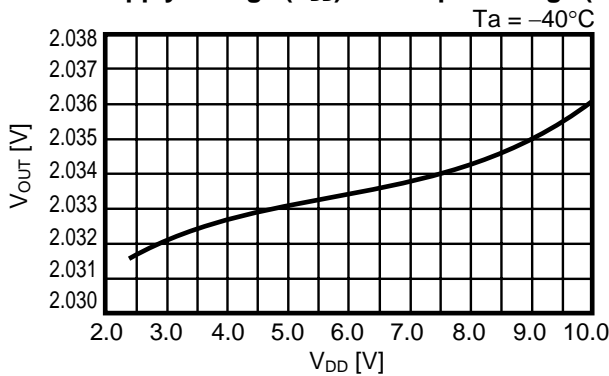
**3. Error range of each temperature**



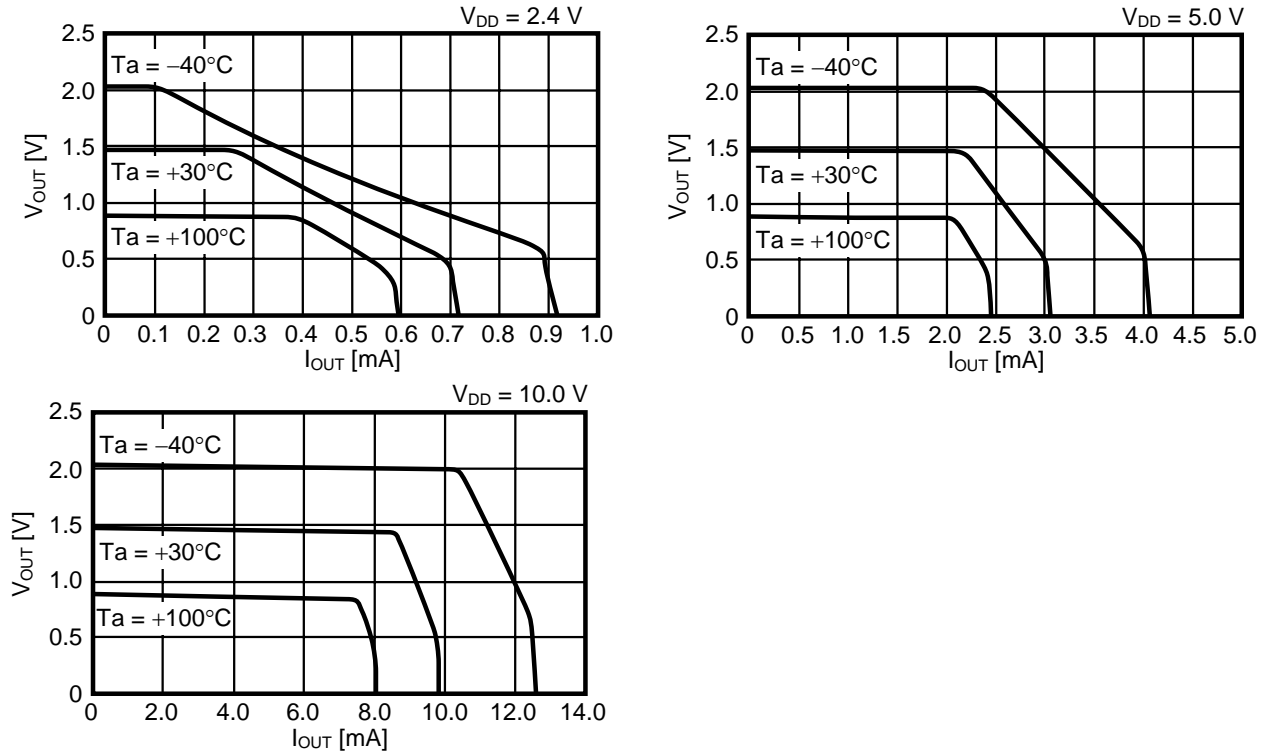
**4. Power supply voltage (V<sub>DD</sub>) vs. Current consumption (I<sub>DD</sub>)**



**5. Power supply voltage (V<sub>DD</sub>) vs. Output voltage (V<sub>OUT</sub>)**



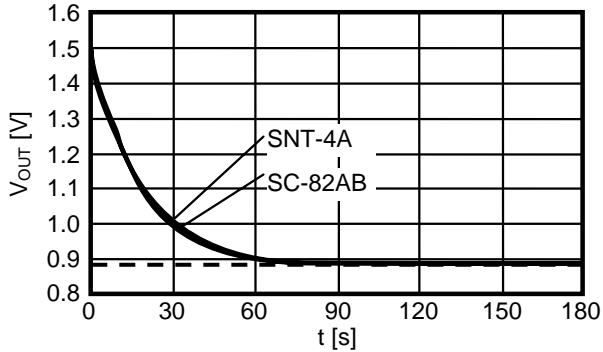
6. Load current ( $I_{OUT}$ ) vs. Output voltage ( $V_{OUT}$ )



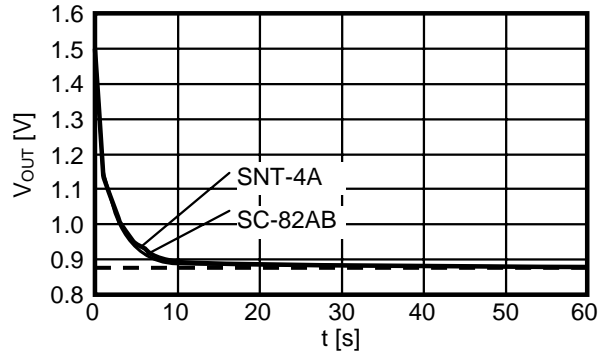
7. Heat response

Time (t) vs. Output voltage ( $V_{OUT}$ )

When packages are put into the air of  $+100$  degrees from the air of  $+25$  degrees

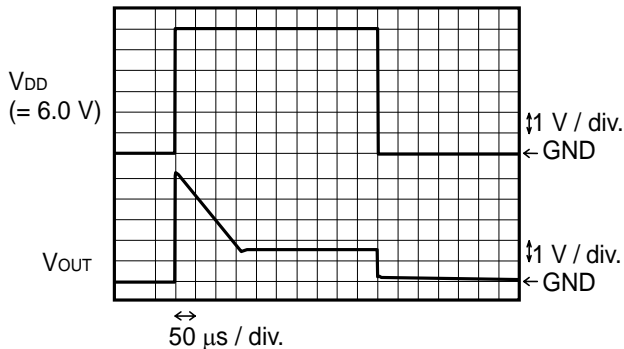


When packages are put into the liquid of  $+100$  degrees from the air of  $+25$  degrees

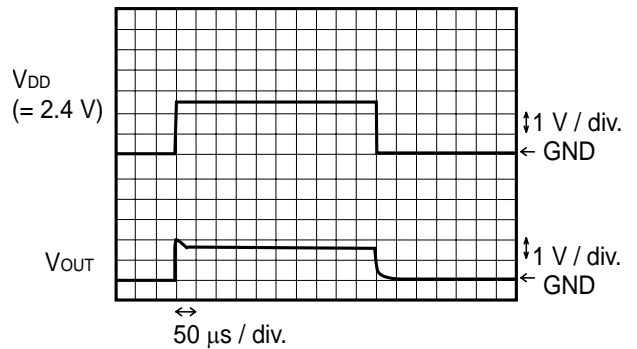


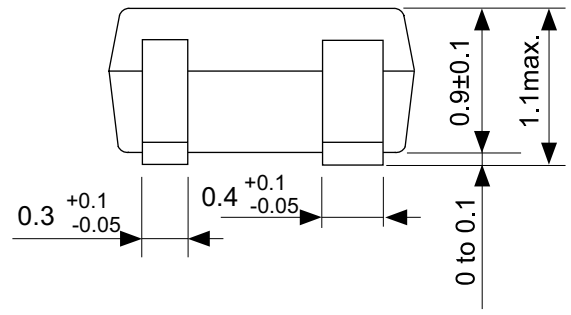
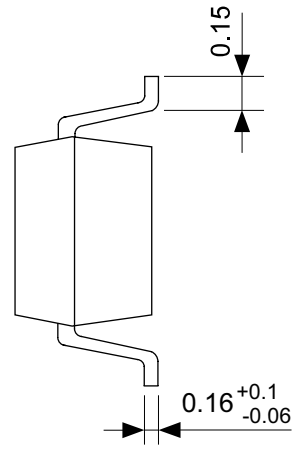
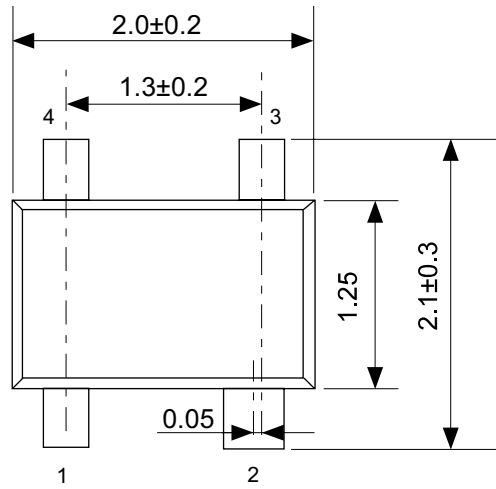
8. Start up response

$T_a = +25^\circ\text{C}$ ,  $C_L = 100\text{ pF}$ ,  $R_L = 10\text{ M}\Omega$



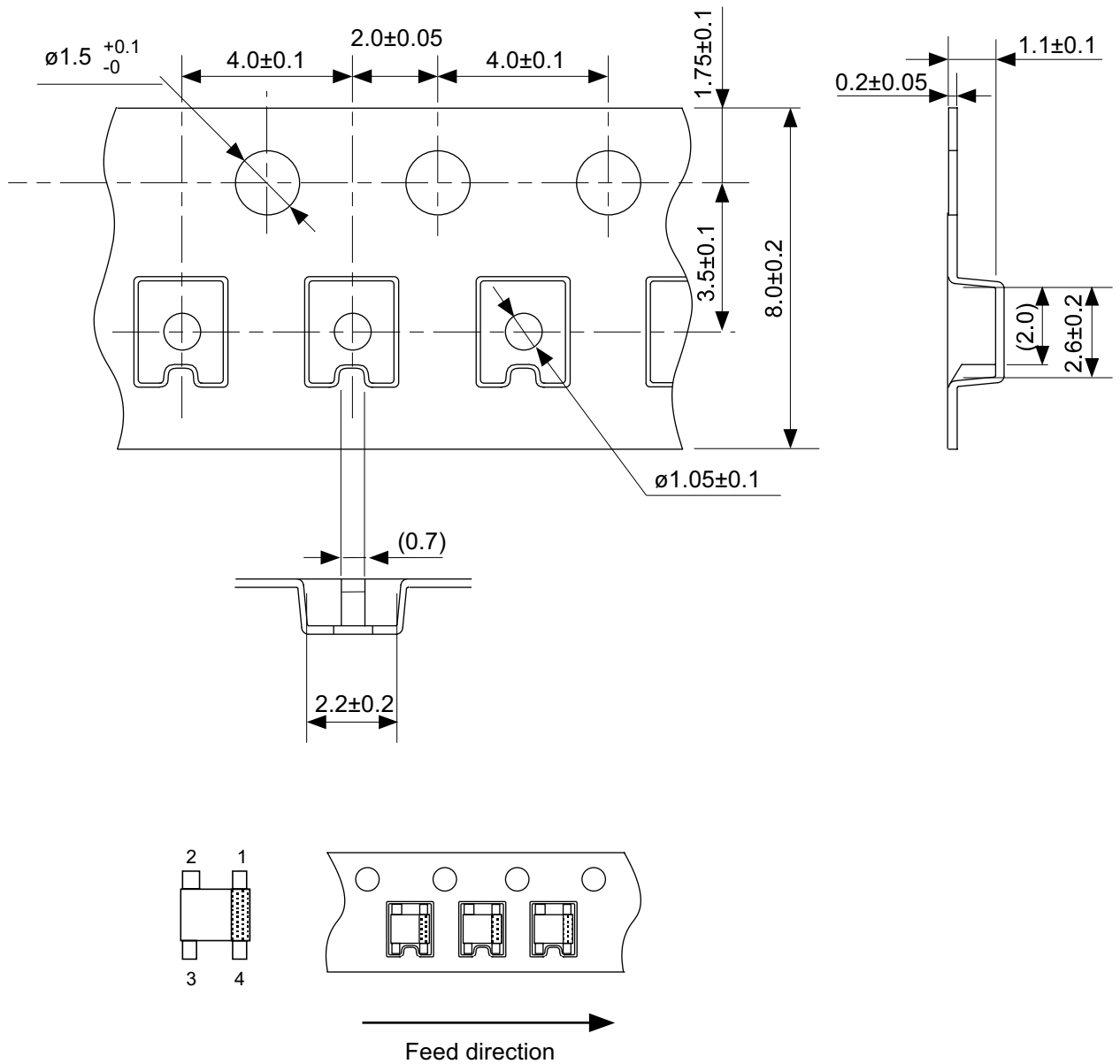
$T_a = +25^\circ\text{C}$ ,  $C_L = 100\text{ pF}$ ,  $R_L = 10\text{ M}\Omega$





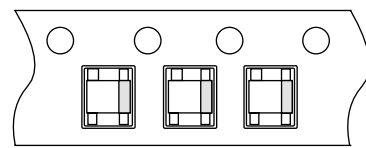
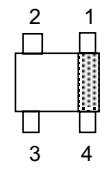
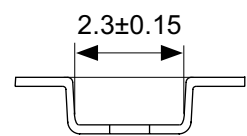
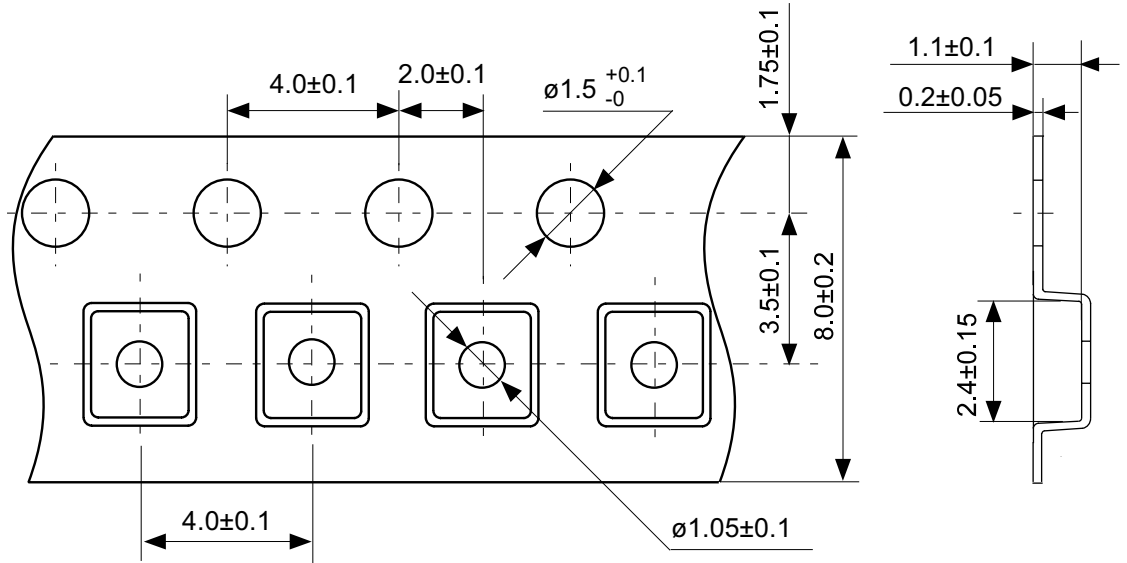
No. NP004-A-P-SD-1.1

TITLE	SC82AB-A-PKG Dimensions
No.	NP004-A-P-SD-1.1
SCALE	
UNIT	mm
Seiko Instruments Inc.	



No. NP004-A-C-SD-3.0

TITLE	SC82AB-A-Carrier Tape
No.	NP004-A-C-SD-3.0
SCALE	
UNIT	mm
Seiko Instruments Inc.	

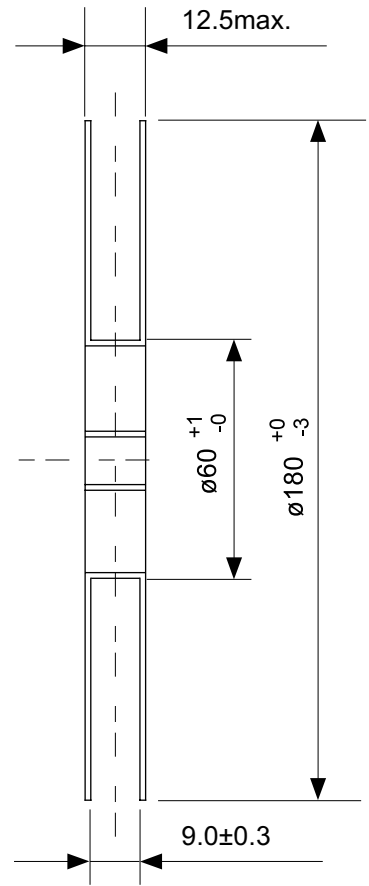
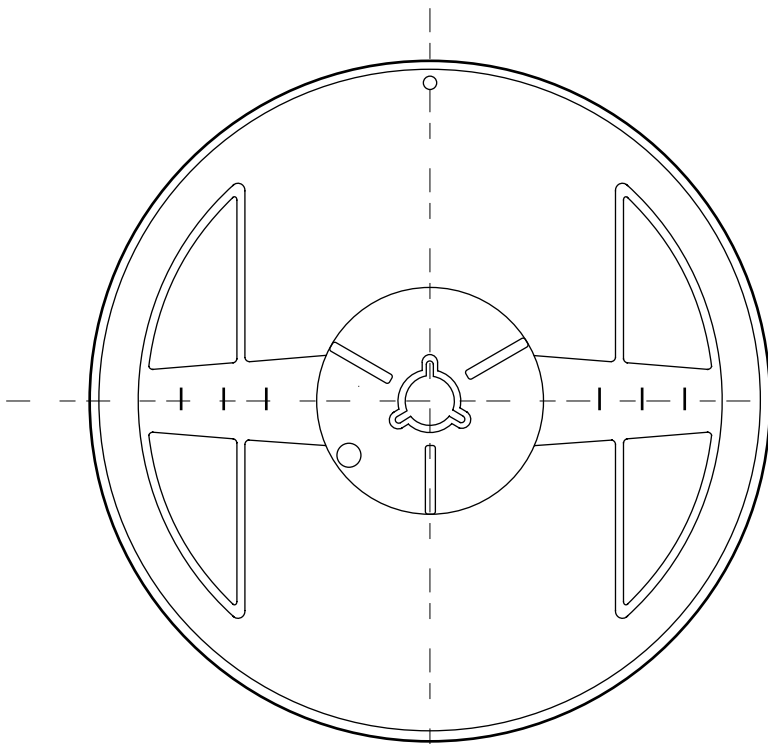


→  
Feed direction

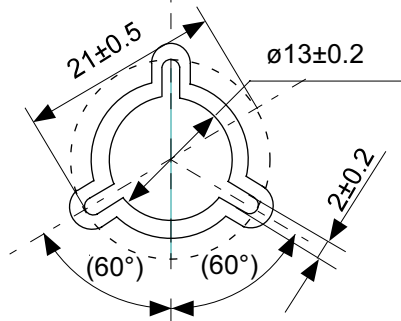
No. NP004-A-C-S1-2.0

TITLE	SC82AB-A-Carrier Tape
No.	NP004-A-C-S1-2.0
SCALE	
UNIT	mm
Seiko Instruments Inc.	



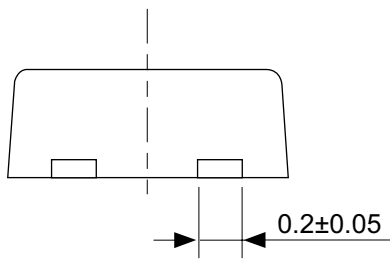
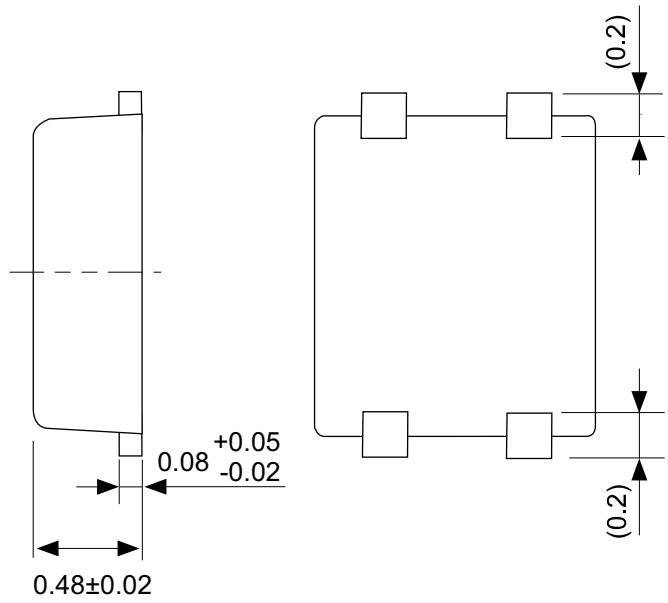
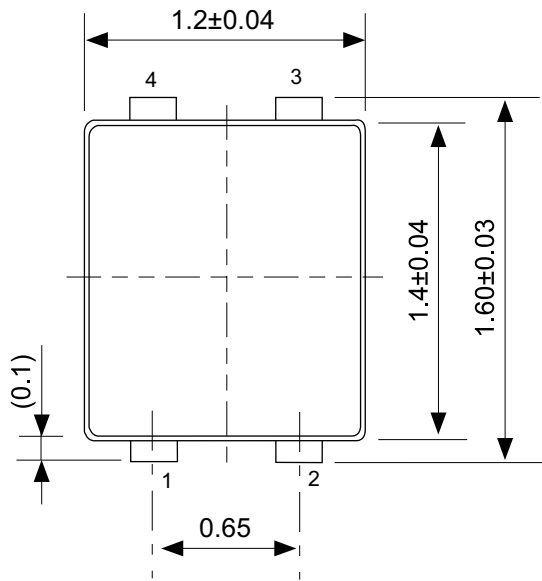


Enlarged drawing in the central part



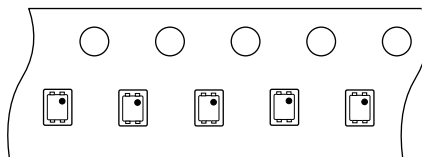
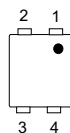
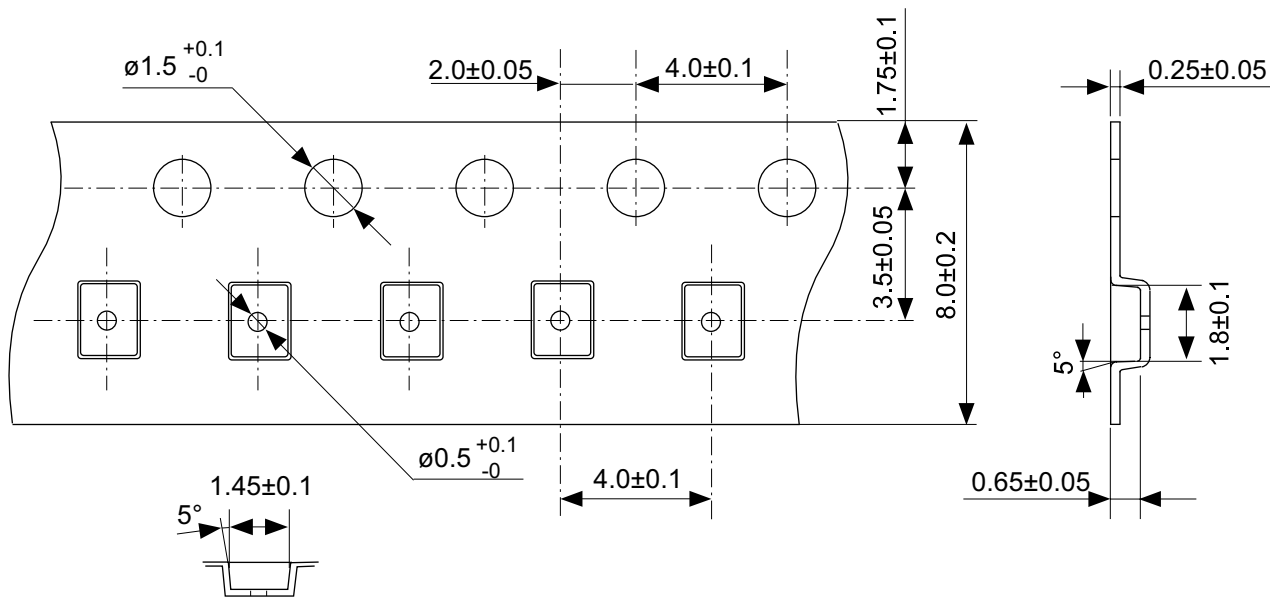
No. NP004-A-R-SD-1.1

TITLE	SC82AB-A-Reel		
No.	NP004-A-R-SD-1.1		
SCALE		QTY.	3,000
UNIT	mm		
Seiko Instruments Inc.			



No. PF004-A-P-SD-4.0

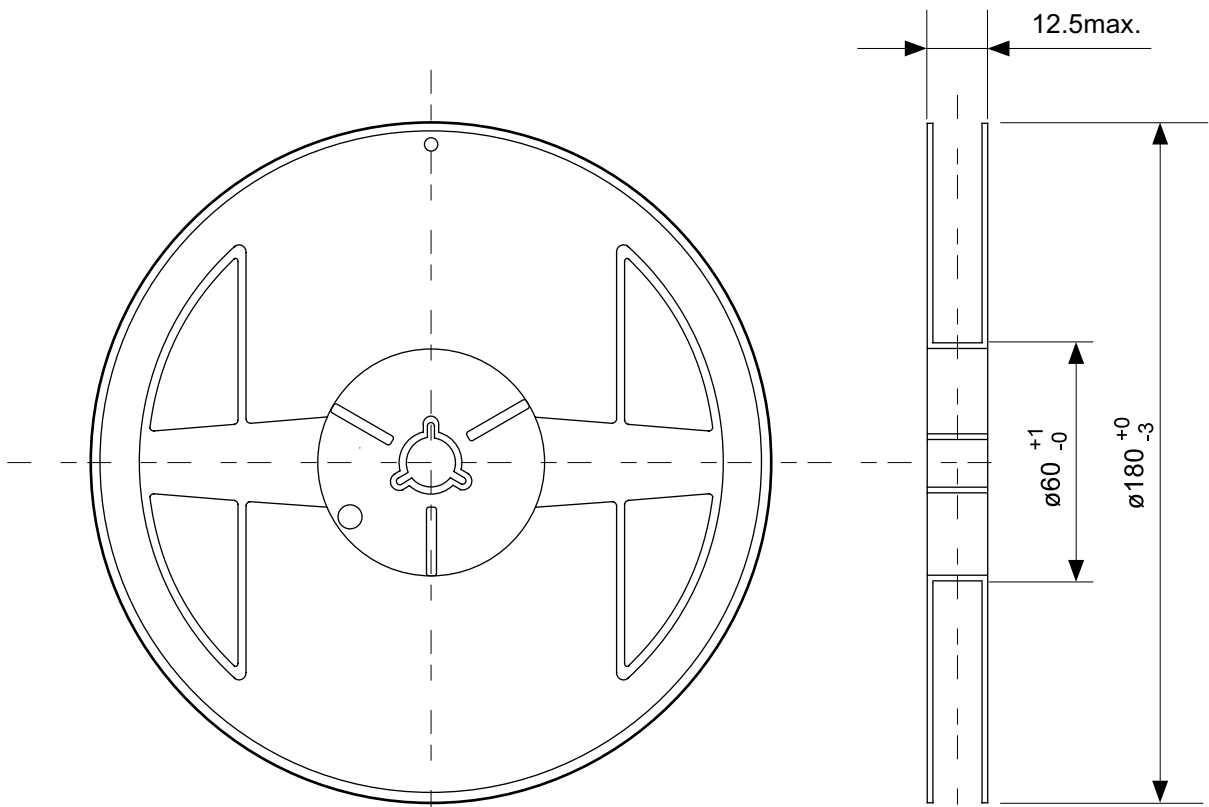
TITLE	SNT-4A-A-PKG Dimensions
No.	PF004-A-P-SD-4.0
SCALE	
UNIT	mm
Seiko Instruments Inc.	



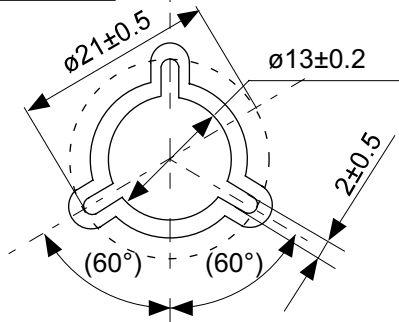
Feed direction

No. PF004-A-C-SD-1.0

TITLE	SNT-4A-A-Carrier Tape
No.	PF004-A-C-SD-1.0
SCALE	
UNIT	mm
Seiko Instruments Inc.	

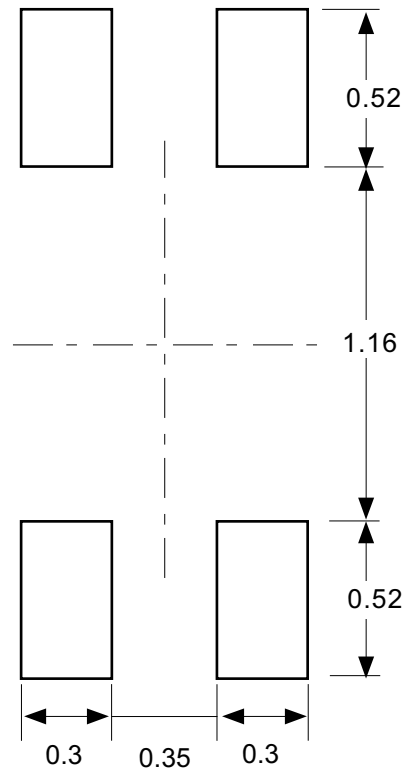


Enlarged drawing in the central part



No. PF004-A-R-SD-1.0

TITLE	SNT-4A-A-Reel		
No.	PF004-A-R-SD-1.0		
SCALE		QTY.	5,000
UNIT	mm		
Seiko Instruments Inc.			



Caution Making the wire pattern under the package is possible. However, note that the package may be upraised due to the thickness made by the silk screen printing and of a solder resist on the pattern because this package does not have the standoff.

注意 パッケージ下への配線パターン形成は可能ですが、本パッケージはスタンドオフが無いので、パターン上のレジスト厚み、シルク印刷の厚みによってパッケージが持ち上がる場合がありますのでご配慮ください。

No. PF004-A-L-SD-3.0

TITLE	SNT-4A-A-Land Recommendation
No.	PF004-A-L-SD-3.0
SCALE	
UNIT	mm
Seiko Instruments Inc.	



Seiko Instruments Inc.  
[www.sii-ic.com](http://www.sii-ic.com)

- The information described herein is subject to change without notice.
- Seiko Instruments Inc. is not responsible for any problems caused by circuits or diagrams described herein whose related industrial properties, patents, or other rights belong to third parties. The application circuit examples explain typical applications of the products, and do not guarantee the success of any specific mass-production design.
- When the products described herein are regulated products subject to the Wassenaar Arrangement or other agreements, they may not be exported without authorization from the appropriate governmental authority.
- Use of the information described herein for other purposes and/or reproduction or copying without the express permission of Seiko Instruments Inc. is strictly prohibited.
- The products described herein cannot be used as part of any device or equipment affecting the human body, such as exercise equipment, medical equipment, security systems, gas equipment, or any apparatus installed in airplanes and other vehicles, without prior written permission of Seiko Instruments Inc.
- The products described herein are not designed to be radiation-proof.
- Although Seiko Instruments Inc. exerts the greatest possible effort to ensure high quality and reliability, the failure or malfunction of semiconductor products may occur. The user of these products should therefore give thorough consideration to safety design, including redundancy, fire-prevention measures, and malfunction prevention, to prevent any accidents, fires, or community damage that may ensue.